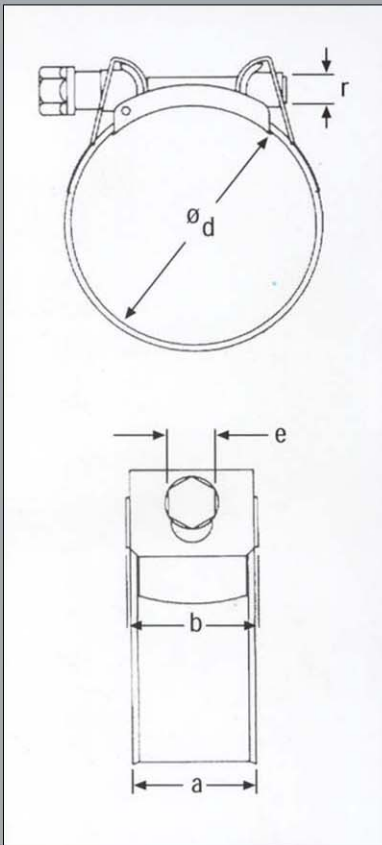


MIKALOR[®]

SUPRA[®]

PATENTED



W2

Bolt:

Strength grade 8.8. Zinc plated.

Band and band arch: Stainless steel X8Cr 17(DIN 1.4016) (AISI-430).

Other components: Steel 1.0333. Zinc plated.

W4

All stainless steel X5CrNi 1810 (DIN 1.4301) (AISI-304).

ø Range of adjustment		Mikalor part number		r (mm)	e (mm)	a (mm)	b (mm)	Máx. Values (*)	
inch	mm	W2	W4					Torque Nm	Press. Bar
0 11/16	0 3/4	17-19	0301901-2	M6	8	18 ^{+0.2}	19,8	7	50
0 3/4	0 13/16	19-21	0301902-0						48
0 13/16	0 29/32	21-23	0301903-9						45
0 29/32	- 1	23-25	0301904-7						
1	- 1 1/16	25-27	0301905-5	M7	10	20 ^{+0.3}	22	16	46
1 1/16	- 1 5/32	27-29	0301906-3						44
1 5/32	- 1 7/32	29-31	0301907-1						40
1 7/32	- 1 5/16	31-34	0301908-0						36
1 5/16	- 1 7/16	34-37	0301909-8						
1 7/16	- 1 9/16	37-40	0301910-0						
1 9/16	- 1 11/16	40-43	0301911-9						
1 11/16	- 1 7/8	43-47	0301912-7						
1 7/8	- 2	47-51	0301913-5						
2	- 2 5/32	51-55	0301914-3						
2 5/32	- 2 5/16	55-59	0301915-1						
2 5/16	- 2 1/2	59-63	0301916-0						
2 1/2	- 2 11/16	63-68	0301917-8	M8	13	25 ^{+0.4}	27,5	25	28
2 11/16	- 3 7/8	68-73	0301918-6						20
3 7/8	- 3 1/8	73-79	0301919-4						12
3 1/8	- 3 11/32	79-85	0301920-7						
3 11/32	- 3 9/16	85-91	0301921-5						
3 7/16	3 11/16	86-93	0301940-0						
3 9/16	- 3 13/16	91-97	0301922-3						
3 13/16	- 4 3/32	97-104	0301923-1						
4 3/32	- 4 3/8	104-112	0301924-0						
4 3/8	- 4 3/4	112-121	0301925-8						
4 3/4	- 5 1/8	121-130	0301926-6						
4 13/16	- 5 7/32	124-135	0301941-8						
5	- 5 5/16	125-135	0301944-2	M10	15	28 ^{+0.4}	31	50	9
5 1/8	- 5 1/2	130-140	0301927-4						6
5 1/2	- 5 7/8	140-150	0301928-2						
5 7/8	- 6 3/8	150-162	0301929-0						
6 3/8	- 6 7/8	162-174	0301930-3						
6 7/8	- 7 3/8	174-187	0301931-1						
7 3/8	- 7 7/8	187-200	0301932-0						
7 7/8	- 8 3/8	200-213	0301933-8						
8 3/8	- 8 7/8	213-226	0301934-6						
8 7/8	- 9 3/8	226-239	0301935-4						
9 3/8	- 9 7/8	239-252	0301936-2						
10	- 10 7/16	252-265	0301937-6(**)						
10 5/32	- 10 11/16	257-270	0301943-4						
10 7/16	- 10 29/32	265-278	0301947-7(**)						
12 7/16	- 13	317-330	0301948-5(**)						

(*) Torque / Pressure: We recommend to work at 75% of the maximum value.

(**) Upon request.